

MASTER LEDspot LV

MASTER LEDspotLV 3.5-20W 827 MR11 24D



Delivering a warm, halogen-like accent beam, MASTER LEDspot LV is an ideal retrofit solution for spot and general lighting applications in the hospitality industry. It is particularly suited to public areas such as receptions, lobbies, corridors, stairwells and washrooms, where the light is on all the time. The robustly designed MASTER LEDspot offers a choice of beam angles for a clearly defined beam spread. There is no UV or IR in the beam, making it suitable for illuminating heat-sensitive objects (food, organic materials, paintings, etc.). The patented intelligent driver enables broad compatibility with existing electromagnetic and electronic halogen transformers. The dimmable versions drive further efficiencies, while helping to create the desired atmosphere.

Product data

• General Characteristics

Cap-Base	GU4
Bulb	MR11 [MR11]
Rated Lifetime (hours)	40000 hr
Nominal Lifetime hours	40000 hr

• Light Technical Characteristics

Color Code	827
Color Designation (text)	Warm White
Beam Angle	24 D
Beam Description	- [-]
Correlated Color Temperature	2700 K
Luminous Flux	210 Lm
Luminous Intensity	1000 cd
Color rendering index	80
Luminous Efficacy Lamp	60.00 Lm/W
Color Temperature	2700 K [CCT 2700K]
Rated Luminous Flux	210 Lm
LLMF - end nominal lifetime	70 %
Colour consistency	6 steps
Rated Beam Angle	24 D
Luminous flux in 90° cone	200 Lm

• Electrical Characteristics

Wattage	3.5 W
Voltage	12 V
Line Frequency	50-60 Hz

Power Factor	0.5 -
Lamp Current mA	640 mA
Dimmable	No
Wattage Equivalent	20 W
Rated Wattage	3.5 W
Starting Time	0.5 (max) s
Warm-up Time to 60% Light Outp	instant full light
Suitable for accent lighting	Yes

• Temperature Characteristics

T-case maximum	94 C
----------------	------

• Environmental characteristics

Energy Efficiency Label (EEL)	A+
Energy consumption kWh/1000h	4 kWh

• Measuring Conditions

Switching cycle	50000X
-----------------	--------

• Product Dimensions

Overall Length C	40 mm
Diameter D	35 mm

• Product Data

Order code	929001123802
Full product code	929001123802
Full product name	MASTER LEDspotLV 3.5-20W 827 MR11 24D



PHILIPS

MASTER LEDspot LV

Order product name MAS LEDspotLV 3.5-20W 827 MR11
24D
Pieces per pack 1
Packing configuration 12
Packs per outerbox 12
Bar code on pack - EAN1 8718696410196

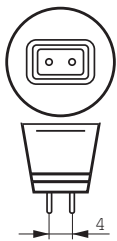
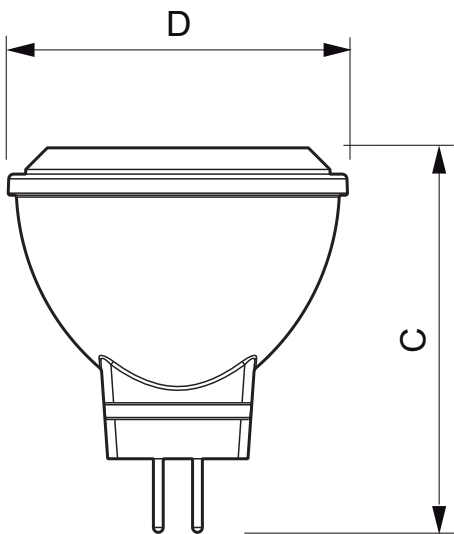
Bar code on outerbox - EAN3 8718696410202
Logistic code(s) - 12NC 929001123802
Net weight per piece 0.024 kg

Warnings and Safety

- Operating temperature range is between -20° C and 45° C ambient

- Only to apply in dry or damp locations and most of open fixtures with lamp-holders that offer sufficient space (10 mm free air space)
- Not intended for use with emergency light fixtures or exit lights

Dimensional drawing

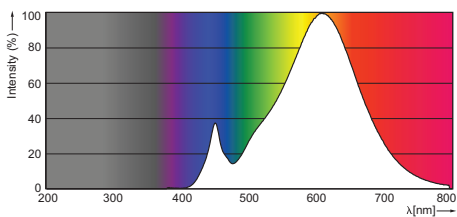


GU4

MASTER LEDspotLV 3.5-20W 827 MR11 24D

Product	C (Norm)	D (Norm)
LED 3.5-20W 827 MR11 24D	40	35

Photometric data





© 2015 Koninklijke Philips N.V. (Royal Philips)
All rights reserved.

Specifications are subject to change without notice. Trademarks are the property of Koninklijke Philips N.V. (Royal Philips) or their respective owners.

www.philips.com/lighting

2015, July 3
data subject to change